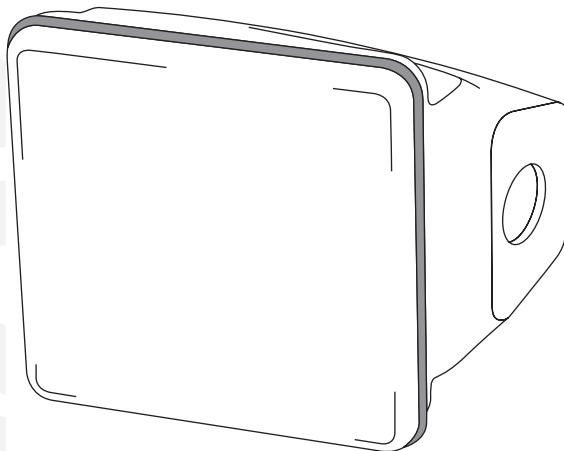




# **SEAVIEW**///

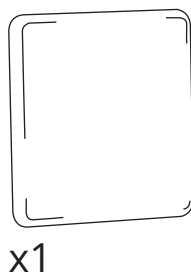
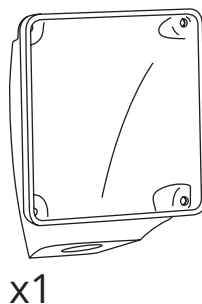
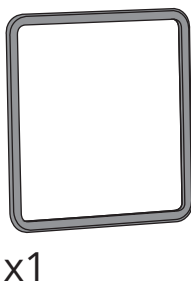
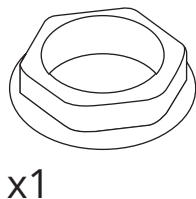
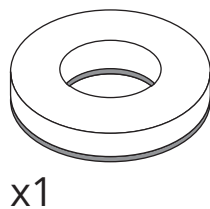
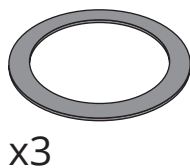
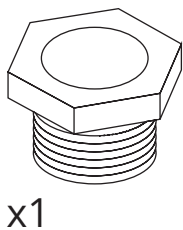
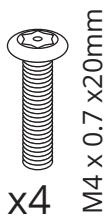


## **INSTALLATION INSTRUCTIONS**

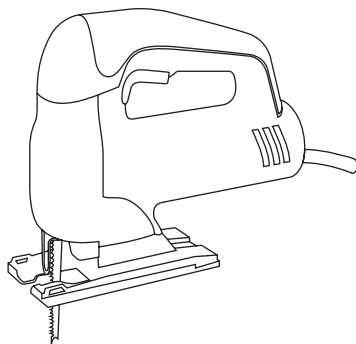
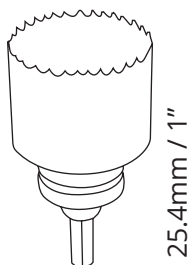
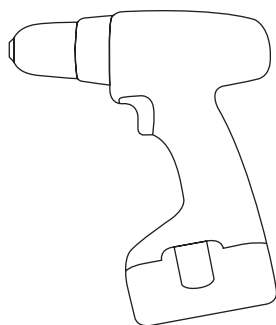
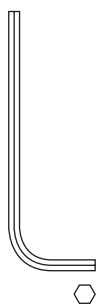
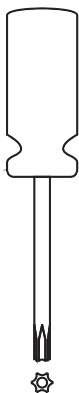
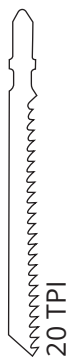
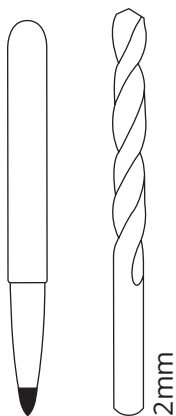
For Instrument Pod:

**SP1-BOX**

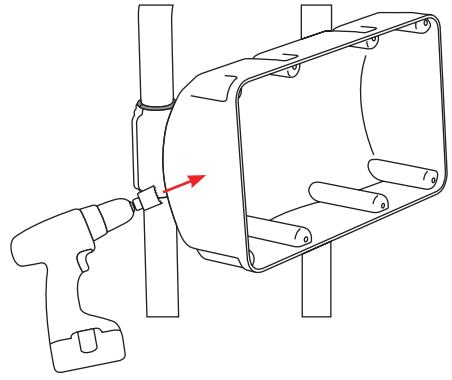
# PARTS INCLUDED



# TOOLS NEEDED



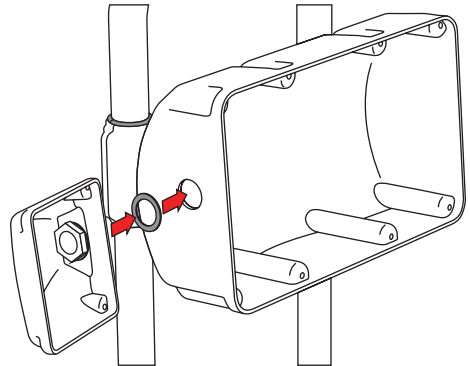
**1** Using a 1" hole saw drill a hole on the end of the instrument pod.



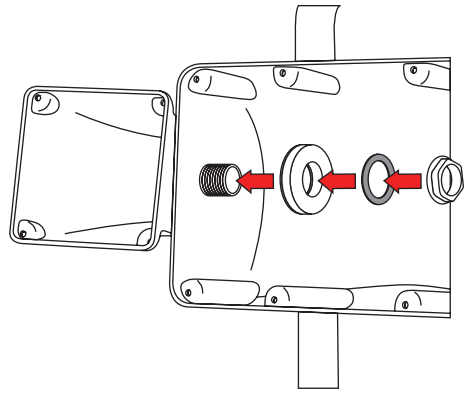
**2** Insert the stainless steel bolt through a rubber gasket and through the SP1-BOX.



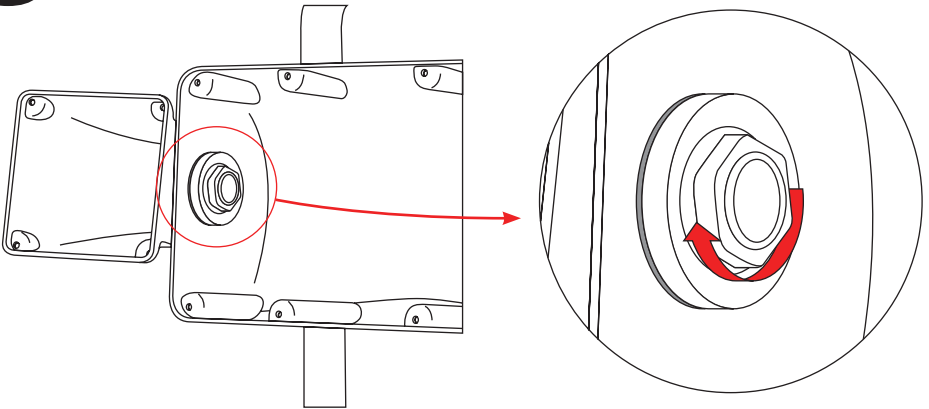
**3** Insert a rubber gasket inbetween the SP1-BOX and instrument pod. Then insert the stainless steel bolt through the 1" hole in the instrument pod.



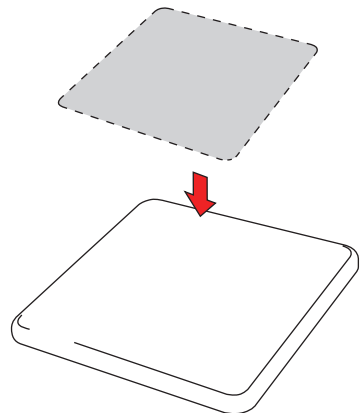
- 4** Insert the white plastic washer and rubber gasket onto the stainless steel bolt. Thread on the plastic nut.



- 5** Make sure your SP1-BOX is positioned to your liking and that the plastic nut is tight.

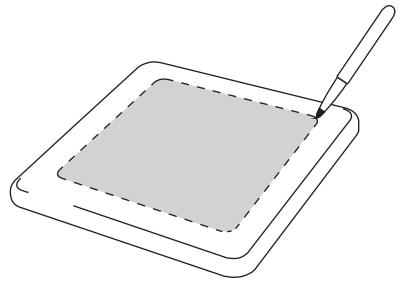


- 6** Place the template for your electronic instrument onto the SP1-BOX face plate.



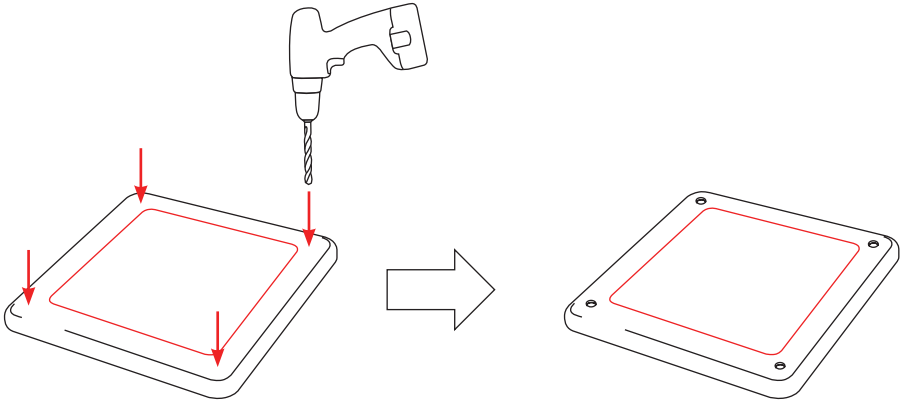
# 7

Trace the edge of the template.



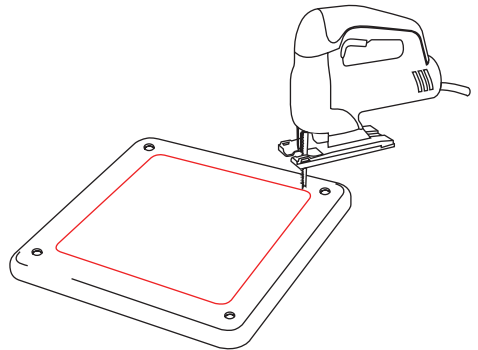
# 8

Remove the template and drill the four holes that will secure your electronic instrument.



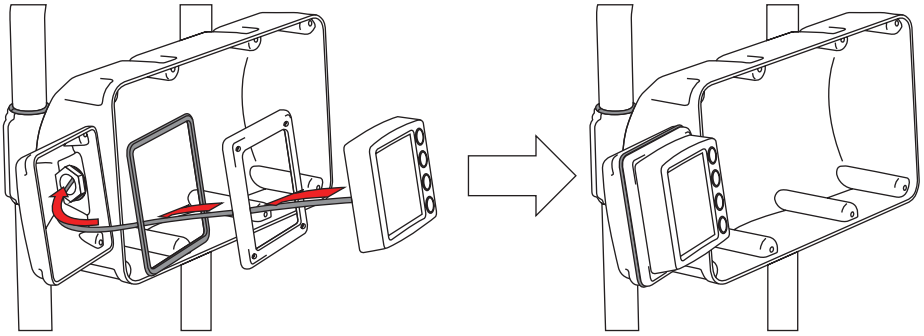
# 9

Use a saw to cut the line that you traced.



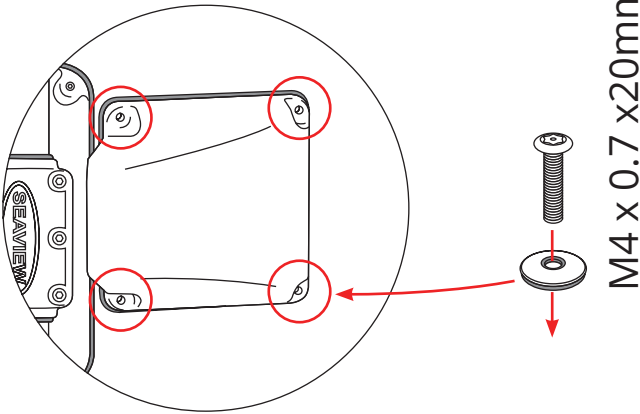
# 10

Route the cables through the front face plate and through the hollow stainless steel bolt. Then mount the electronic instrument to the face plate and rubber gasket.



# 11

Secure the SP1-BOX assembly with the four tamper resistant screws and washers.





# **SEAVIEW** //

**COMPLETE MOUNTING SOLUTIONS FOR  
MARINE ELECTRONICS**

***NORTH AMERICAN OFFICE***

12532 Beverly Park Road,  
Lynnwood, WA 98087  
Tel: 800-523-7558  
Fax: 425-355-3661  
[www.seaviewglobal.com](http://www.seaviewglobal.com)

***EUROPEAN OFFICE***

Tel: +33 4 94 53 27 70  
Fax: +33 4 94 53 26 62  
ZI Du Capitou, 85 Rue Louis Lepine, Frejus  
83600 - France  
[www.seaviewprogress.com](http://www.seaviewprogress.com)